

# GROOVE 21



In-ground series. Fixtures consist of:

- Extruded anodized aluminum housing
- IP-67-rated double resin coating - transparent in the lower part to protect the LED from mechanical stresses and to guarantee maximum luminous efficiency - satin finish in the visible part, even in joints proximity, to ensure a homogeneous light distribution over the entire emitting area.
- Dynamic Tunable White (TW) options enable smooth variations in color temperature, from 2700K to 5400K, in response to how a space is used.
- RGBW (4000K) color mixing for high emotional impact scenographic effects.
- Each rough-in kit is provided with a protective faceplate to avoid possible deformations during the installation in concrete to simplify installation.
- To be used with a 24 V low-voltage driver (ordered separately, consult factory for more information).

- Two-part fitting, consisting of LED luminaire and stainless steel recess box with anti-deformation cover (included). Tool-free installation of the luminaire in the recess box.
- Stainless steel recessed rough-in kit to be ordered separately.
- The luminaire may be configured with numerous options and multiple standard finishes. Not all options are available in all configurations. Consult factory for more information about specification sheet details to build your light.
- 5-year warranty.
- Includes all connectors needed for IPX8 electrical connections.
- Max run length per driver: 45 linear feet for static white, 35 linear feet for TW or RGBW.
- Drive over rated <5 MPH, 6613 lbs weight  
Static load up to 6613 lbs- Suitable for slow moving vehicles with air-inflated tires.



Standard finishes:

- GR-EV1 / Anodized aluminum / Matt



Scan here  
for installation  
instructions



Scan here  
for promo  
video

FIXTURE SERIES	STANDARD CCT WATTAGE	T/W WATTAGE	RGBW WATTAGE
GROOVE 500	5W	10W	18W
GROOVE 1000	10W	18W	33W
GROOVE 1500	15W	27W	47W
GROOVE 2000	20W	36W	60W
GROOVE 500T	5W	10W	18W
GROOVE 500X	5W	10W	18W
GROOVE R500	5W	10W	18W
GROOVE R1200	5W	10W	18W
GROOVE R2000	11W	21W	36W

# GROOVE 21



## Order Guide –

Order code example: Groove21-500-3K-24V-3123666

Series	Size	CCT	Voltage	Custom Details
Groove21	STRAIGHT			PROVIDE DRAWINGS OR LAYOUT CONCEPT FOR ENGINEERING AND DESIGN SUPPORT
	500 19.7" straight	3K 3000K	24V 24V Remote Driver	
	1000 39.2" straight	4K 4000K		
	1500 58.6" straight			
	2000 78" straight	TW 27K-54K		
	CURVED			
	R500 20.3" curved	RGBW RGBW 4K		
	R1200 23.5" curved			
	R2000 38.5" curved			
	INTERSECTION			
	500T 19.7" intersection			
	500X 19.7" intersection			
500LC 19.7" intersection				
500RC 19.7" intersection				

90 CRI STANDARD - OTHER OPTIONS AVAILABLE

PERFORMANCE IN LIGHTING reserves the right to make all necessary changes without prior notice

PERFORMANCE IN LIGHTING USA, Inc.  
2621 Keys Pointe Conyers GA 30013 - United States  
Tel: 770 822 2115

info.usa@pil.lighting  
www.performanceinlighting.com/us

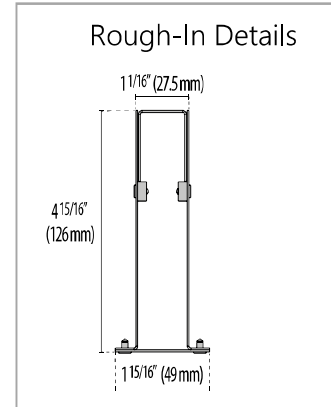
REVISION 03  
12/24

## REQUIRED FOR INSTALLATION

DESCRIPTION FINISH PART NUMBER

### GROOVE 21

Recessed rough-in kit GROOVE 21 500	<b>3123666</b>
Recessed rough-in kit GROOVE 21 1000	<b>3123667</b>
Recessed rough-in kit GROOVE 21 1500	<b>3123668</b>
Recessed rough-in kit GROOVE 21 2000	<b>3123669</b>
Recessed rough-in kit GROOVE 21 500 T-X	<b>3123665</b>
Recessed rough-in kit GROOVE 21 R500	<b>3123670</b>
Recessed rough-in kit GROOVE 21 R1200	<b>3123671</b>
Recessed rough-in kit GROOVE 21 R2000	<b>3123672</b>
Recessed rough-in kit GROOVE 21 500RC	<b>3106652-RC</b>
Recessed rough-in kit GROOVE 21 500LC	<b>3106652-LC</b>
24V 260W IP66 Remote Driver (1-27 fixtures)	<b>17514</b>
12-48V Remote DMX Controller	<b>17896-WP</b>



**3123666**



**3123667**



**3123668**



**3123669**



**3123665**



**3123670**



**3123671**



**3123672**



**3106652-LC**



**3106652-RC**



**17514**

24V 260W driver (can operate 1-27 fixtures) Remote mounted by others (IP66)  
9.5" x 2" x 1.52"  
Contact factory for additional driver options.



**17896-WP**

Remote DMX Controller  
35' Max run length TW & RGBW



**3111705**

Shaped Joint  
Used to connect Rough ins together for linear runs



**3106662**

Closing kit for Rough in Set of Two - Used to cap off the rough in.

One per Run, or  
One per fixture for individuals



**3123669**

Closing kit for Fixture Set of Two - Used to cap fixtures

One per Run, or  
One per fixture for individuals

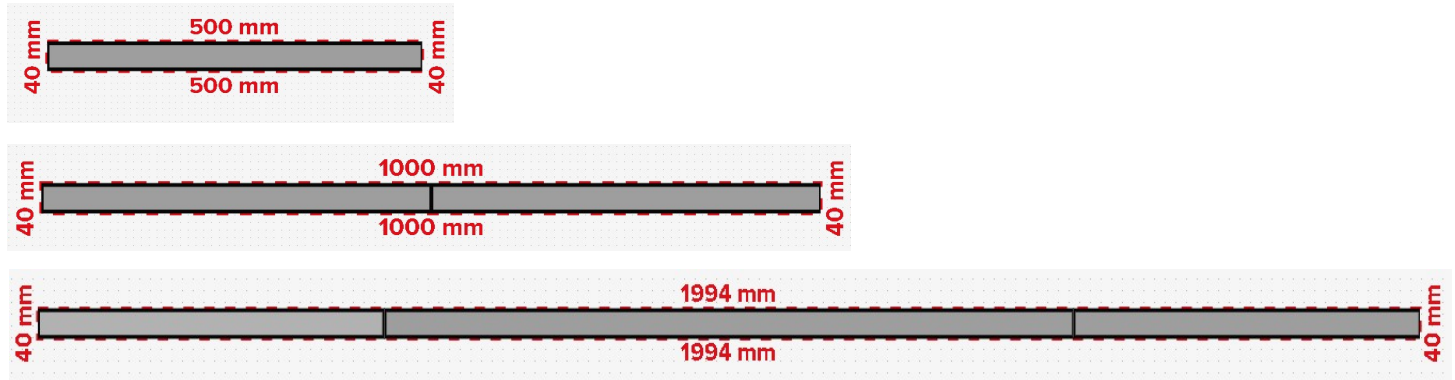
# GROOVE 21

REVISION 03  
12/24

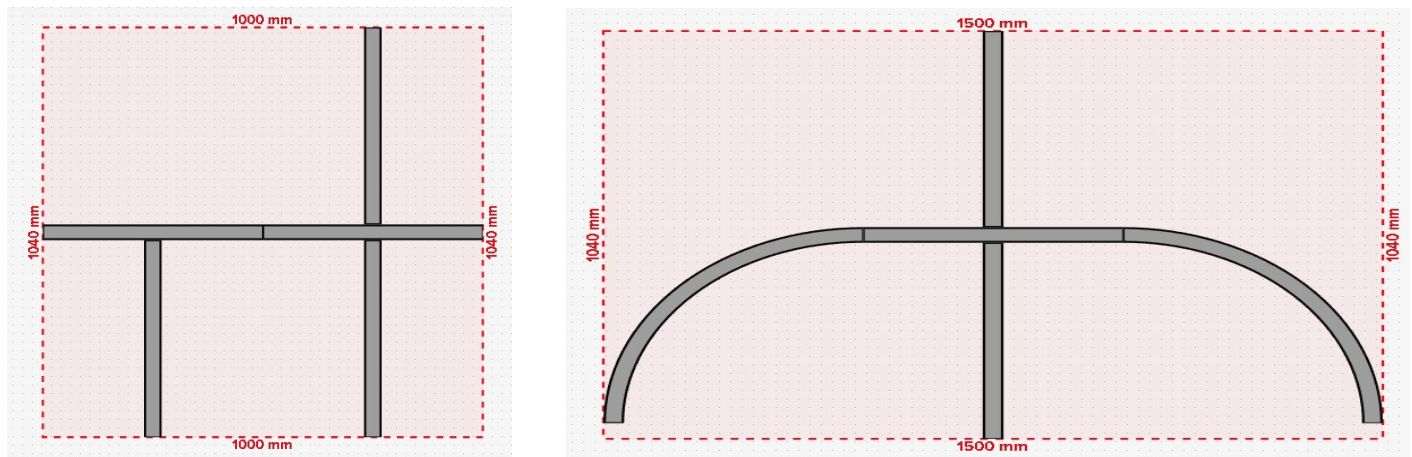


## Groove Applications

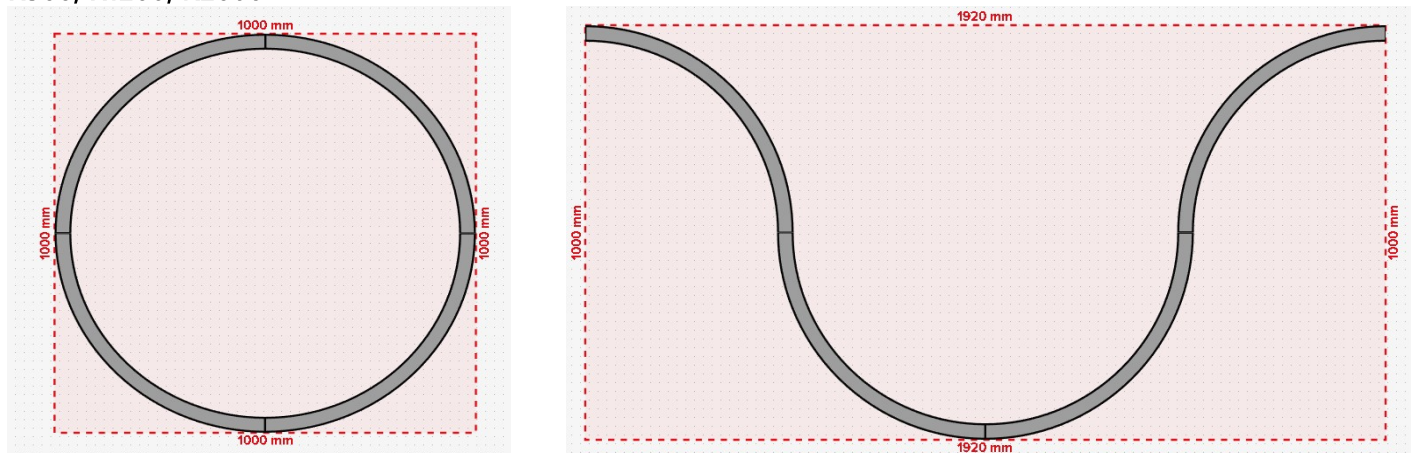
Stand Alone Fixtures / Continuous Line  
500/1000/1500/2000



Intersection Options  
500T, 500X, 500RC, 500LC



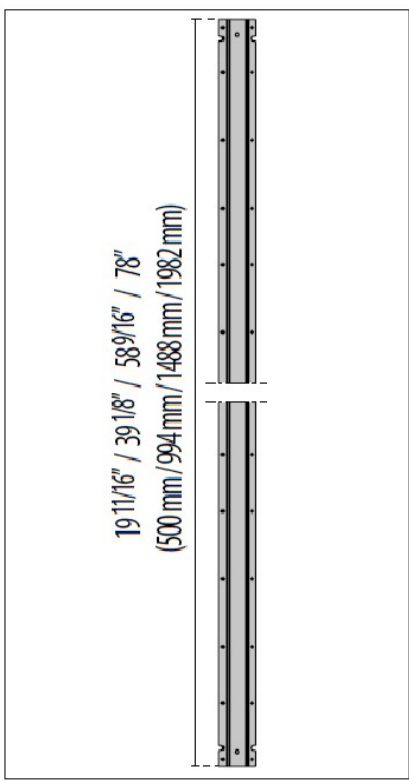
Curved Options  
R500, R1200, R2000



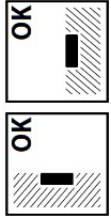
# ROUGH-IN BUILDING BLOCKS

REVISION 03  
12/24

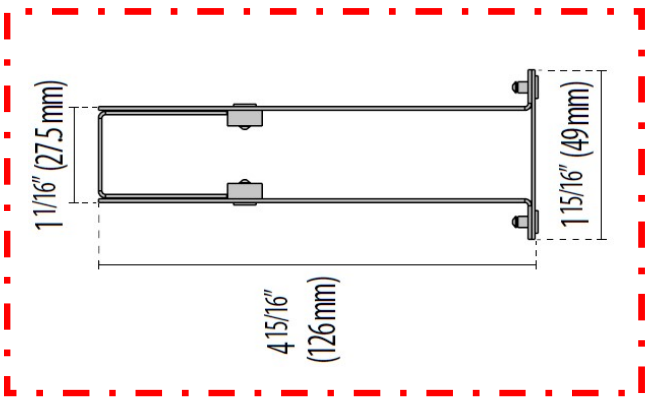
GROOVE 21 500/1000/1500/2000



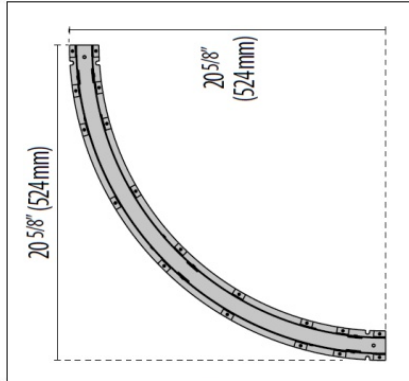
STRAIGHT  
(GROUND OR HORIZONTAL-  
WALL MOUNTED)



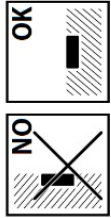
CROSS SECTION  
FOR ALL VERSIONS



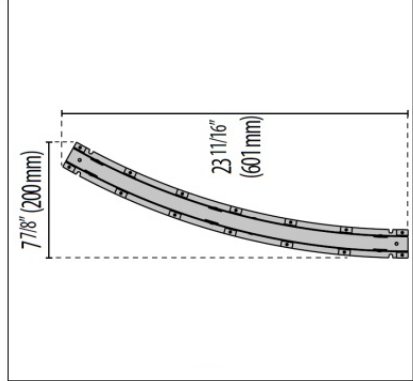
GROOVE 21 R500



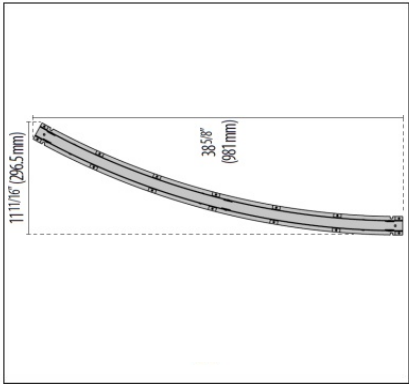
CURVES  
(GROUND ONLY)



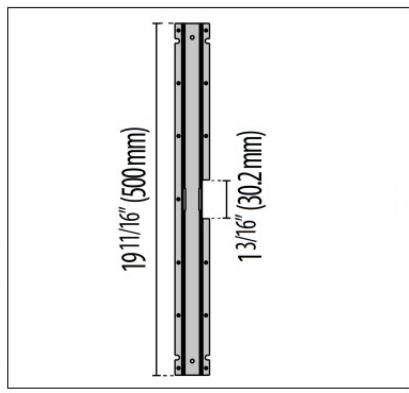
GROOVE 21 R1200



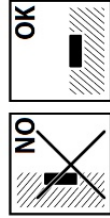
GROOVE 21 R2000



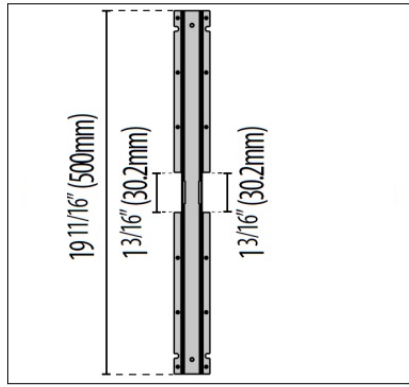
GROOVE 21 500T



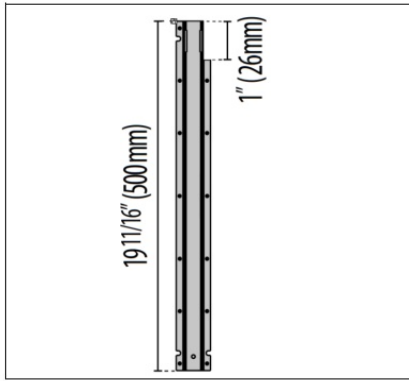
INTERSECTIONS  
(GROUND ONLY)



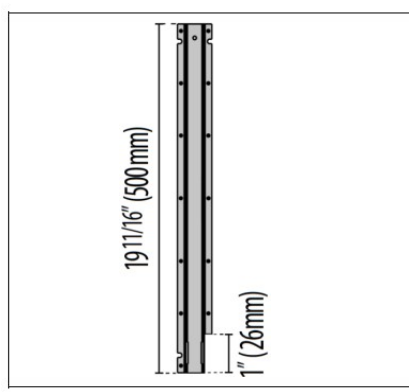
GROOVE 21 500X



GROOVE 21 500LC



GROOVE 21 500RC



# DETAILS

All fixtures are 24V.

Standard driver is PN#17514 (9.5" x 2" x 1.52" - 260W, IP66 - can operate up to 27-fixtures)



If using static white and 500 or 1000 indoors, we can use 1-per 17097 (2.7" x 1.3" x .8" - 10W) inside the rough-in.



Max run length per driver:

- 45 linear feet for static white.
- 35 linear feet for TW or RGBW.

Max remote distance with 16GA wire is 20-ft (larger gauges allow for longer remote distances).

Static white fixture input requires 2-wires (remote driver):

- 24V+
- 24V-



Tunable white fixture input requires 3-wires (remote driver and controller):

- WW-
- CW-
- Common+



ALL CONNECTORS  
ARE INCLUDED FOR  
IPX8 ELECTRICAL  
CONNECTIONS:

RGBW fixture input requires 5-wires (remote driver and controller):

- R-
- G-
- B-
- W-
- Common+

